



Waiting Area Furniture Specification:



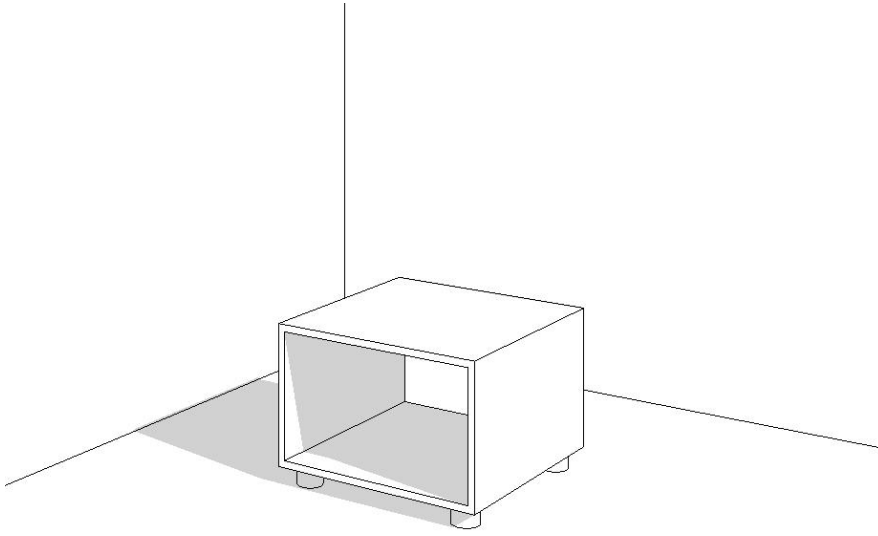
Tub Chair:

- Fully upholstered Tub chair with brushed aluminium legs
- High density seat foam
- Contract Specific design and quality

Fabric to backrest and Seat:

- Contract Upholstery Fabric
- 2 x Chair Fabric: Black Fabrics, Slick, colour Ink Blue/Similar, sample to be provided
- Abrasion Resistance Minimum 30 000 rubs
- 2 x Chair Fabric: Design Team Kanga Flower, colour Sari Cotton/Similar, sample to be provided
- Abrasion Resistance Minimum 22 000 rubs

Waiting Area Furniture Specification:



Side Table:

- 600 x 600 x 450mm High side table made of Formica Havanna Cherry Melawood
- 32mm thick top and sides with matching 2mm PVC Edge all round
- Bushed aluminium

Workstation Specification:

Worktop – Refer to Detail D-007: Minimum 5 year Warranty

- 1600mm x 800mm x 32mm Chipboard Worktop, with .6mm Formica White 234 laminate finish, and a suitable paper balancing backer.
- Worktop Height is to be 740mm from finished floor.
- An 80mm diameter cable port to be provided with suitable white plastic cover
- Worktop to have a Matching 2mm PVC edge all round.

Leg – Refer to Detail D007: Minimum 5 year Warranty

- 75mm x 38mm rectangular inverted U-shaped leg, with frame to cantilever at right angle off the workstation storage.
- Leg and frame to be powder coated Silver.
- Suitable height adjusters to be provided in the bottom of the legs.

Cable Management - Refer to Detail D007: Minimum 5 year Warranty

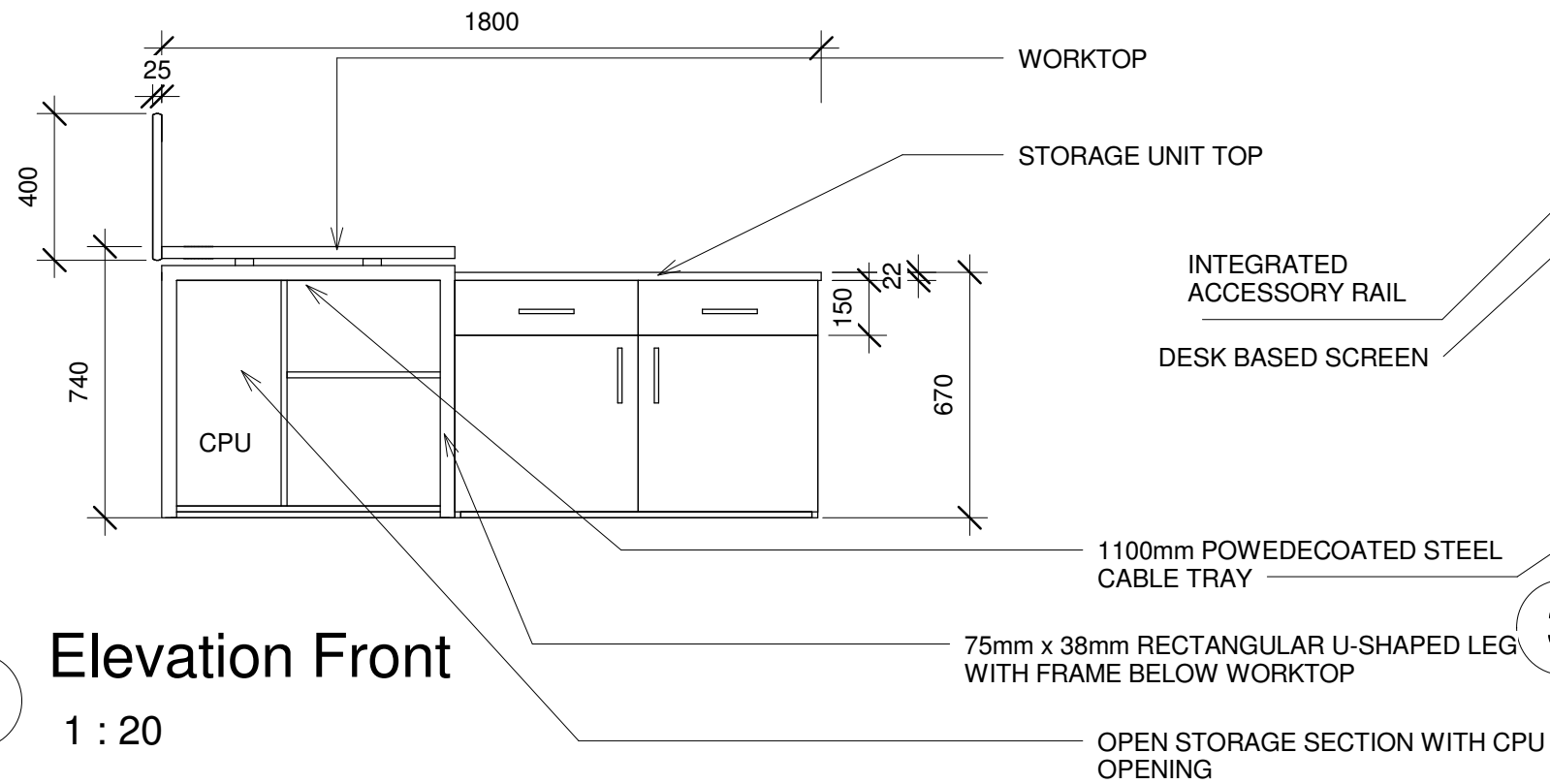
- 1100mm Powder coated steel cable tray to be provided for cable management.

Desk Based Screen - Refer to Detail D007: Minimum 5 year Warranty

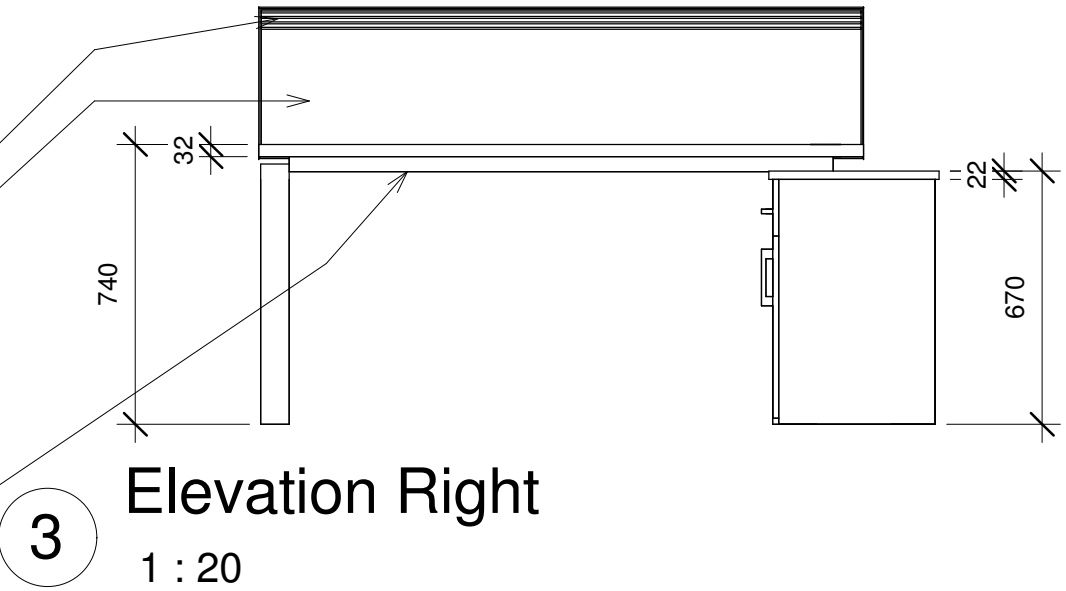
- 25mm anodised aluminium framed desk based screen, with pin-able fabric: Weavers world Orbit colour: rain forest/Similar, sample to be provided
- 3mm foam to be supplied between chipboard core and upholstery fabric.
- Screen to be attached to underside of desk with steel brackets.
- Screen to be supplied with an integrated accessory rail.
- **Accessories onto rail, per user: 1 x Division box file, 1 x Hanging pencil cup, 2 x Floating tray**

Workstation storage - Refer to Detail D007 : Minimum 5 year Warranty

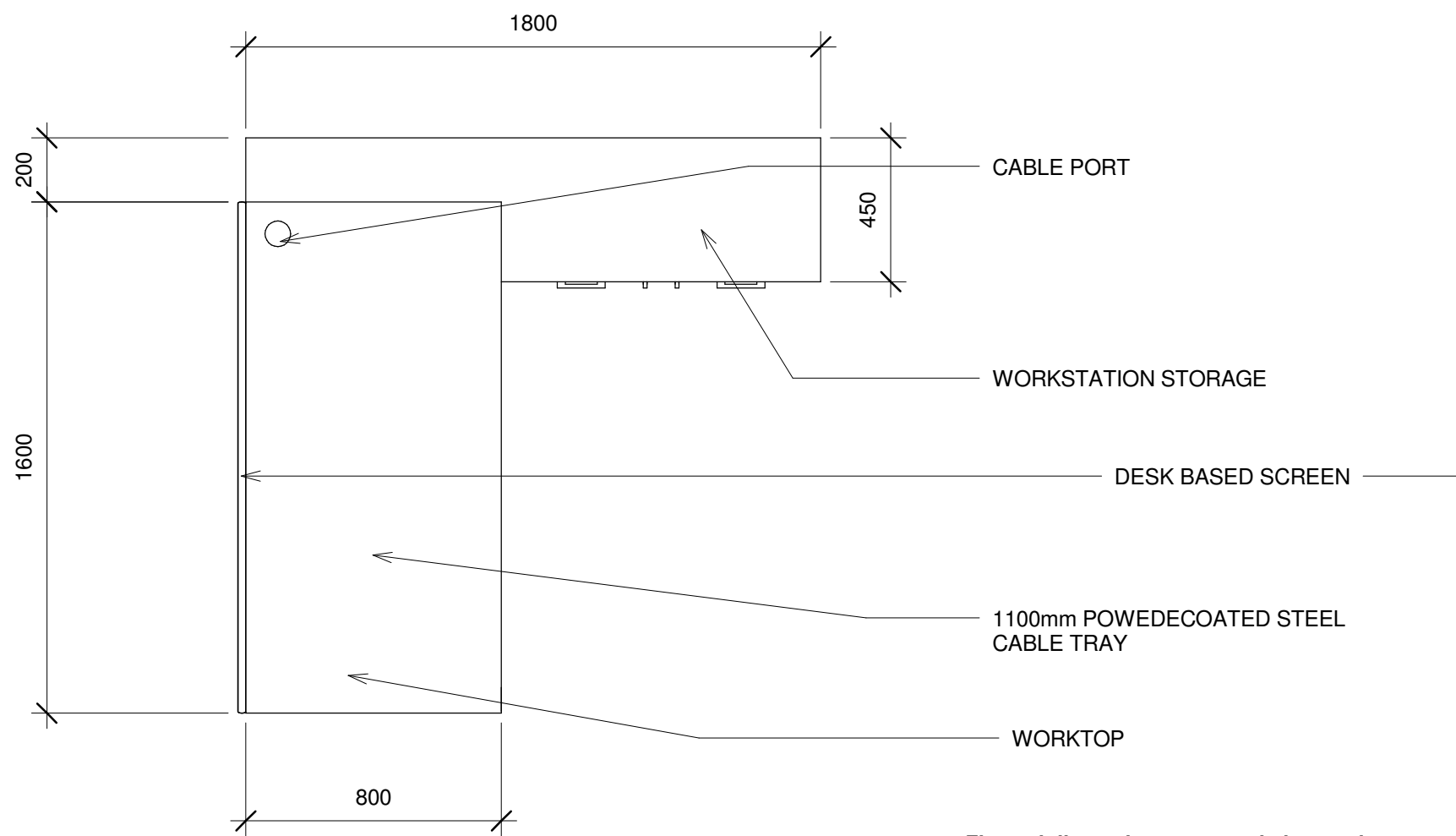
- 1800mm x 450mm Storage to finish at a height of 670mm from finished floor level.
- The storage unit to have a 22mm chipboard top, finished with a .6mm Formica White 234 laminate finish and a suitable paper balancing backer.
- The top is to have a 2mm Matching PVC edge all round.
- Storage Unit Sides and Back in Mild Steel, Powdercoated to match Formica White 234 Laminate
- Storage Unit Door and Drawer Fronts in 16mm Formica Havana Cherry 1179 melawood, with 2mm matching PVC edge all round
- Storage to consist of a 1000mm storage section with 2 x drawers, on suitable ball bearing slides with 1 x drop-in pencil tray, above 2 x doors on 110degree self-closing pot-hinges, with adjustable shelf inside.
- Doors and drawers to be fitted with anodised aluminium handle (Raiel RAH 473 Dovetail grip)
- Storage unit to include an 800mm open storage section to include an opening for CPU box and an opening with adjustable shelf.
- Cable ports to be provided for cables to route from CPU box to worktop.
- Storage unit to be fitted with suitable ferrule adjusters.
- All door and drawers to be lockable, with a master keyed lock.
- Locks for each individual workstation to be keyed alike.



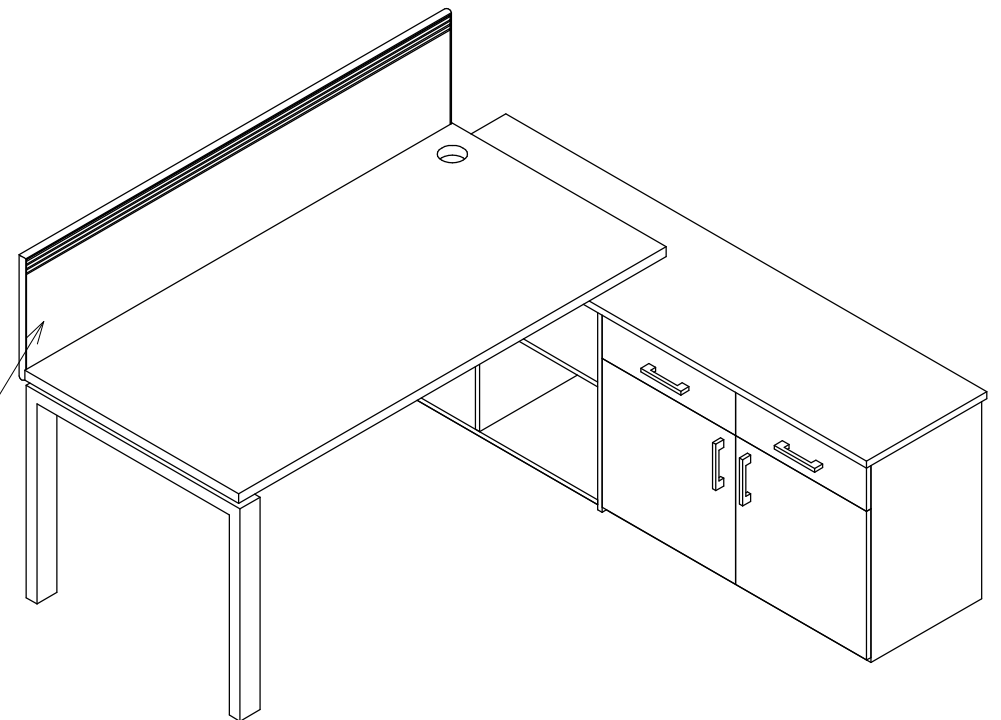
2 Elevation Front
1 : 20



3 Elevation Right
1 : 20



1 Plan Detail
1 : 20



4 3D Ortho

FOR INFORMATION ONLY

ISSUE DATE :

Figured dimensions must only be used.
Dimensions must be verified on site, and discrepancies reported immediately to the client, SANAS.



TENDER SPECIFICATION
WORKSTATION SPECIFICATION DRAWING

DETAIL NO.	SCALE	DATE	REVISION
D-007	1 : 20	18-01-2013	00

Workstation Specification:

Freestanding storage Specification - Refer to Detail D008 : Minimum 5 year Warranty

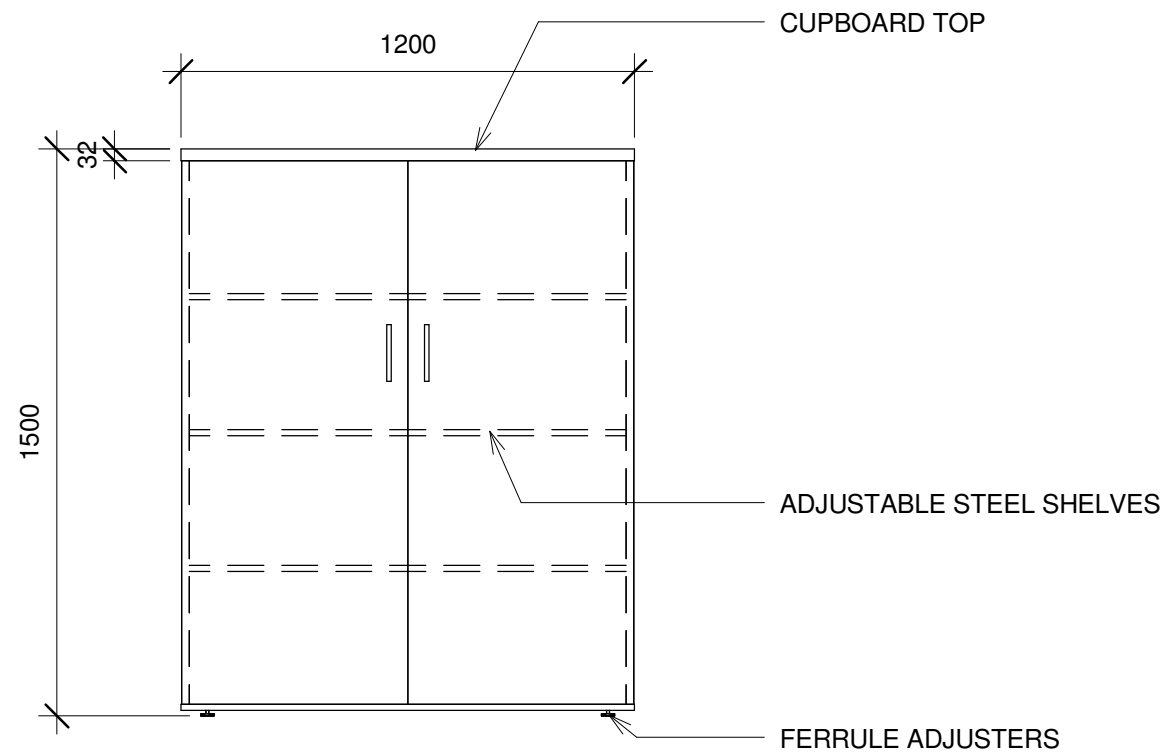
1500mm High Hinge Door Storage Unit:

- 1200mm x 500mm x 32mm Chipboard Top, with .35mm Formica White 234 Melawood finish.
- Carcass in 16mm Formica White 234 melawood with matching 2mm PVC edge on all exposed edges.
- Storage unit back in 16mm melamine
- Hinge Doors in 16mm Formica Havana Cherry Melawood Finish, with matching 2mm PVC edge all round
- Doors hung from 110degree self-closing pot-hinges
- Doors to be lockable, and keyed alike to associated workstation
- Locks to be master keyed.
- 3 x Adjustable steel shelves
- Hinge door storage unit to be fitted with suitable ferrule adjusters.

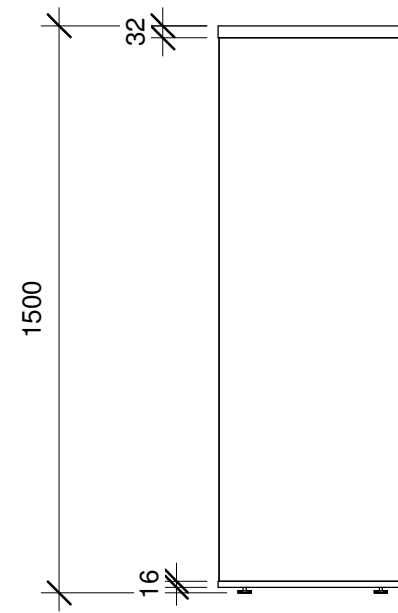
Filing Room Steel Shelves:



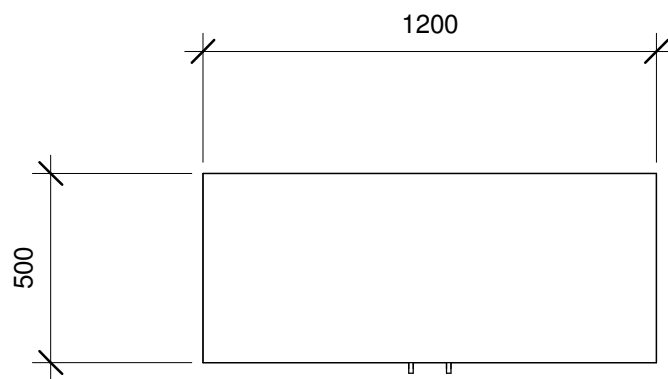
- 6 tier boltless steel shelves
- 910mm x 310mm bay size
- Powdercoated to Charcoal colour
- All bays must be able to interlock



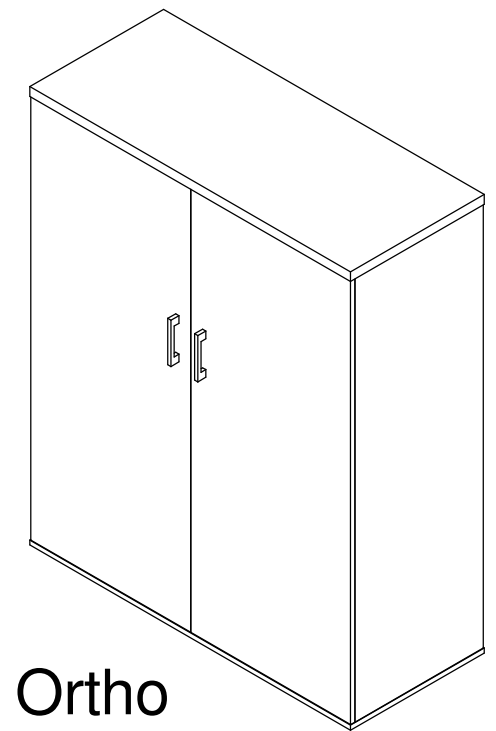
2 Elevation Front
1 : 20



3 Elevation Left
1 : 20



1 Plan Detail
1 : 20



4 3D Ortho

FOR INFORMATION ONLY

ISSUE DATE :

Drawings must not be scaled. Figured dimensions must only be used.
Dimensions must be verified on site, and discrepancies reported immediately to the client, SANAS.



TENDER SPECIFICATION

1500H HINGE DOOR STORAGE UNIT

DETAIL NO.	SCALE	DATE	REVISION
D-008	1 : 20	18-01-2013	00



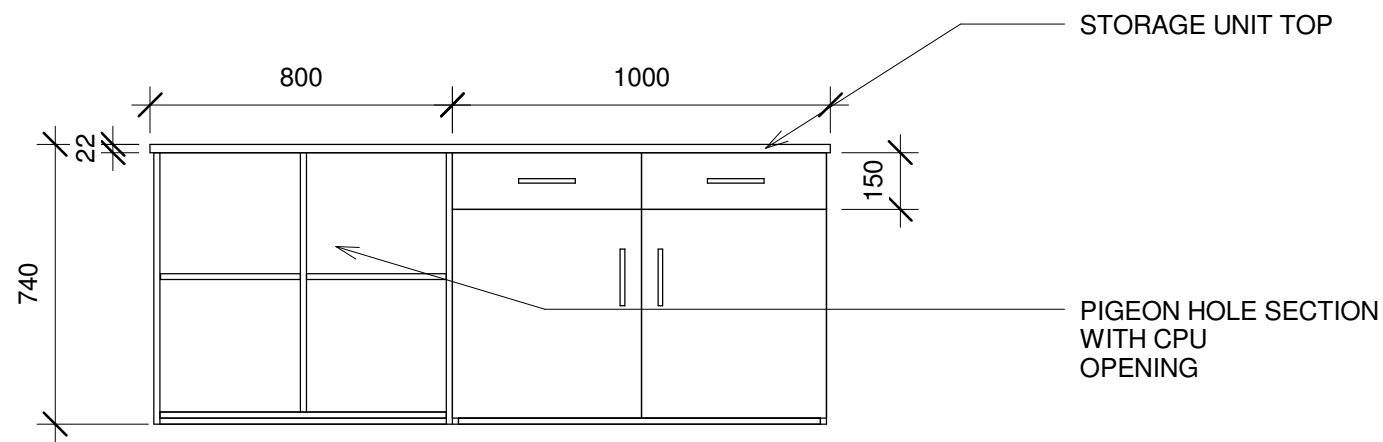
Workstation Specification:

Filing Room Utility Hub Unit Refer to Detail D010: Minimum 5 year Warranty

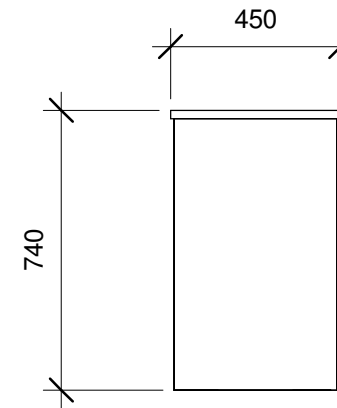
- 1800mm x 450mm Storage to finish at a height of 740mm from finished floor level.
- Storage unit to be fitted with suitable ferrule adjusters.
- Storage unit Carcass in white melamine with matching 2MM pvc edge on all exposed edges
- All door and drawers to be lockable, with a master keyed lock.
- Storage Unit Door and Drawer Fronts in 16mm Formica Havana Cherry 1179 melawood, with 2mm matching PVC edge all round
- The top is to have a 2mm Matching PVC edge all round.
- The storage unit to have a 32mm chipboard top, finished with a .6mm Formica White 234 laminate finish and a suitable paper balancing backer
- Doors and drawers to be fitted with anodised aluminium handle (Raiel RAH 473 Dovetail grip)
- Storage unit to include an 800mm open storage section to include an opening for CPU box and an opening with adjustable shelf.
- Storage to consist of a 1000mm storage section with 2 x drawers, on suitable ball bearing slides with 1 drawer, above 2 x doors on 110degree self-closing pot-hinges, with adjustable shelf inside.

Utility Hub Unit - Refer to Detail D009: Minimum 5 year Warranty

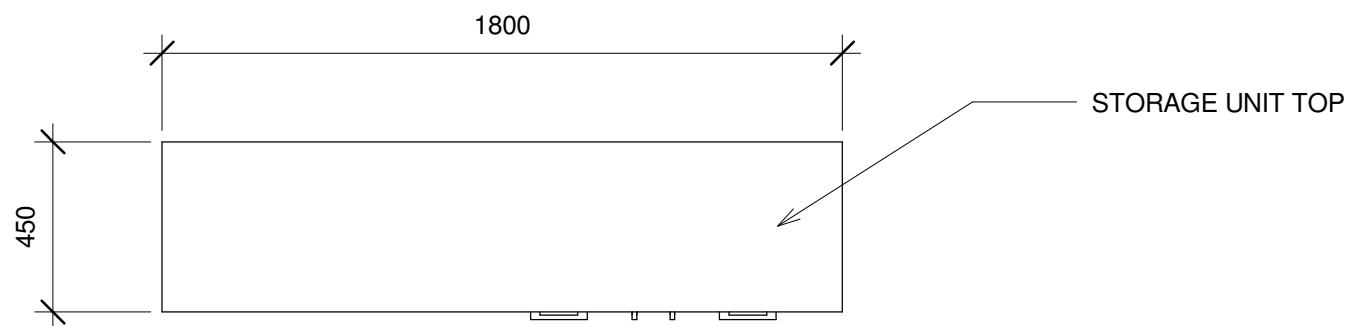
- 1200mm x 600mm x 32mm Chipboard Worktop, with .6mm Formica White 234 laminate finish, and a suitable paper balancing backer.
- Worktop Height is to be 740mm from finished floor.
- An 80mm diameter cable port to be provided with suitable black plastic cover
- Worktop to have a Matching 2mm PVC edge all round.
- Storage Unit Carcass in 16mm White melamine with matching 2mm PVC edge on all exposed edges
- Depth of storage carcass to be 500mm.
- Utility Hub Storage to consist of 4 drawer pedestal and hinge door cupboard section.
- Cupboard to be lockable.
- Adjustable steel shelf inside cupboard.
- Storage Unit Door and Drawer Fronts in 16mm Formica Havana Cherry 1179 melawood, with 2mm matching PVC edge all round
- Doors and drawers to be fitted with anodised aluminium handle (Raiel RAH 473 Dovetail grip)



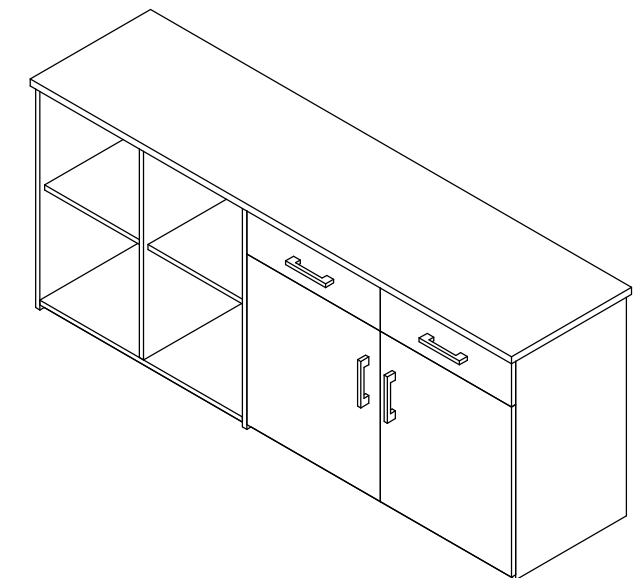
2 Elevation Front
1 : 20



3 Elevation Left
1 : 20



1 Plan Detail
1 : 20



4 3D Ortho
FOR INFORMATION ONLY

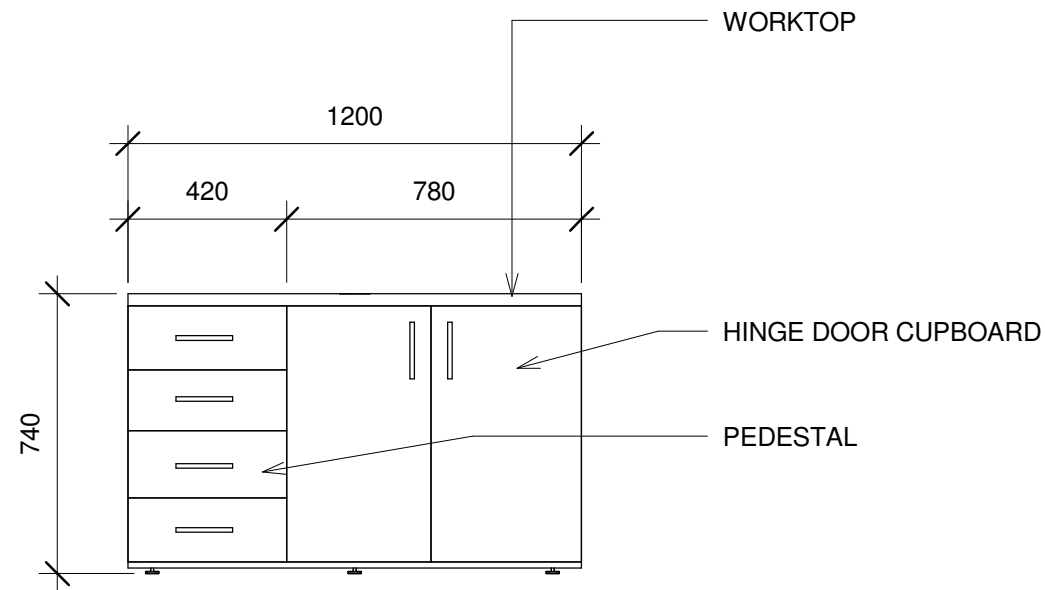
Drawings must not be scaled. Figured dimensions must only be used.
Dimensions must be verified on site, and discrepancies reported immediately to the client, SANAS.



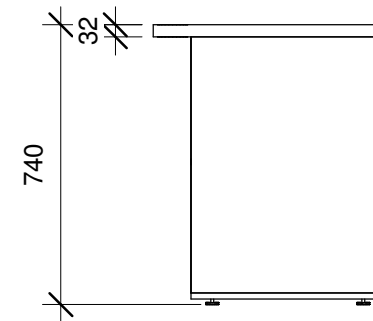
TENDER SPECIFICATION
FILING ROOM UTILITY HUB UNIT

DETAIL NO. D-010	SCALE 1 : 20	DATE 18-01-2013	REVISION 00
---------------------	-----------------	--------------------	----------------

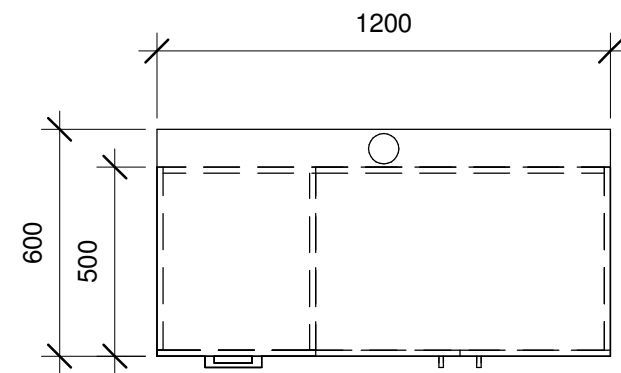
ISSUE DATE :



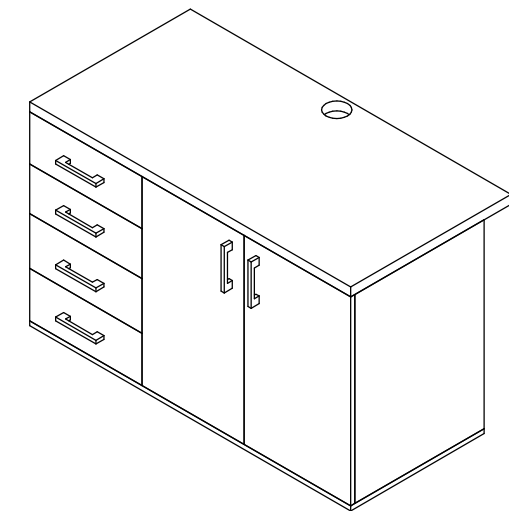
2 Elevation Front
1 : 20



3 Elevation Left
1 : 20



1 Plan Detail
1 : 20



4 3D Ortho

FOR INFORMATION ONLY

ISSUE DATE :

Drawings must not be scaled. Figured dimensions must only be used.
Dimensions must be verified on site, and discrepancies reported immediately to the client, SANAS.



TENDER SPECIFICATION

UTILITY HUB UNIT

DETAIL NO.	SCALE	DATE	REVISION
D-009	1 : 20	18-01-2013	00

Workstation Specification:

Operators Chair Specification:



Mid Back Operators Chair:

- Black Mesh Backrest with upholstered seat
- Gas height adjustment, with standard gas lift
- Simple synchronous mechanism with Swivel and Tilt
- Height adjustable arms
- Black nylon Base
- High Density Seat Foam
- Waterfall Feature on the Seat
- 5 Year Warranty

Fabric to Backrest and Seat:

- Contract Upholstery Fabric
- Abrasion resistance no less than 30 000 rubs
- Black Mesh Backrest
- Seat Fabric: Weavers World, Vulcan, Colour Black 1/Similar, sample to be provided

Workstation Specification:

Visitor's Chair Specification:




Mid Back Operators Chair:

- Black Mesh Backrest with upholstered seat
- Metal Sleigh Base Frame with PU arm caps
- Black Epoxy (or similar) frame
- High Density Seat Foam
- 5 year Warranty

Fabric to backrest and Seat:

- Contract Upholstery Fabric
- Abrasion resistance no less than 30 000 rubs
- Black Mesh Backrest
- Seat Fabric: Weavers World, Vulcan, Colour Black 1/Similar, sample to be provided



Meeting facilities:

Training Room Table - Refer to Detail D004: Minimum 5 year Warranty

- 1500mm x 750mm x 32mm Chipboard Worktop, with .6mm Formica White 234 laminate finish, and a suitable paper balancing backer.
- Worktop to have a 2mm PVC edge all round.
- Table height to be 740mm from finished floor level
- Table top must be able to fold in order for tables to be stacked when stored
- Table base is to be manufactured out of steel or aluminium or a combination of the two materials.
- Tables are to be mobile, with castors of which at least two can lock.
- Tables to be able to connect to each other for stability and alignment.
- Cut-out for power-dock to be made for one table per setting according to plan.

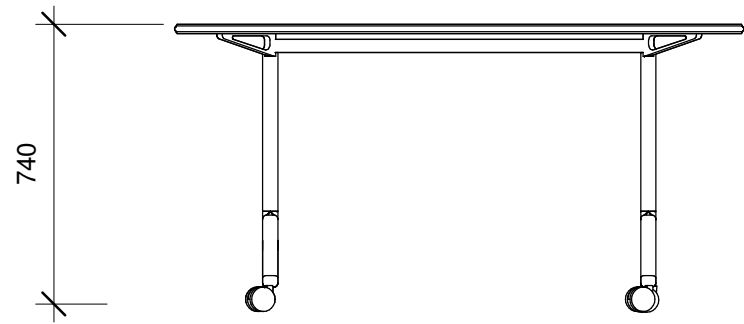
Boardroom Table - Refer to Detail D001: Minimum 5 year Warranty

- 4400mm x 1350mm American Walnut Veneer chipboard top. With solid matching edge all round.
- Table to provide 16 seated positions
- Table height to be 740mm from finished floor level
- Access to cable reticulation to be provided in table top, which can be closed when not in use.
- Table Box Base manufactured in 16mm American Walnut Veneer single faced board.
- Access to cabling to be provided through door in table base.

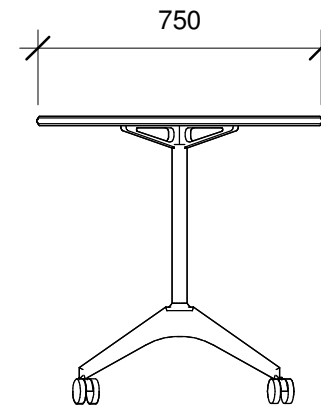
Meeting Room Server:

Veneer - Refer to Detail D002: Minimum 5 year Warranty

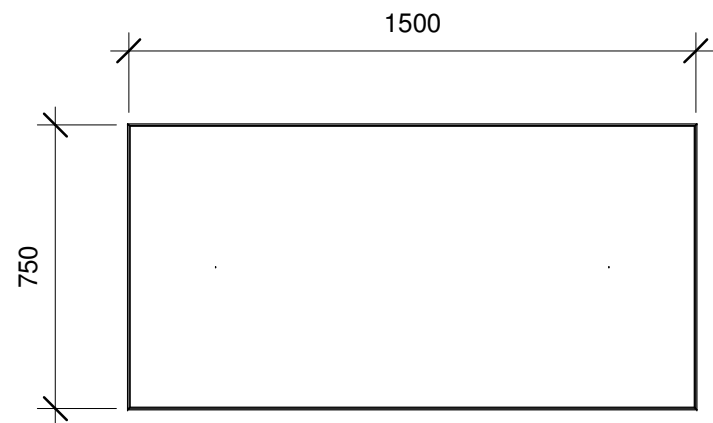
- 1800mm x 450mm x 32mm American Walnut Veneer chipboard top. With solid matching edge all round
- Server height to be 850mm from finished floor level
- Server Unit Carcass in 16mm American Walnut Veneer with matching 2mm solid edge on all exposed edges
- Depth of storage carcass to be 450mm.
- Server Unit Storage to consist of 3 drawers with 16mm White Duco MDF drawer fronts below each other and hinge door cupboard section on either side
- Ventilation for audio-visual equipment to be provided in the back of the unit
- Cupboard to have 2 x adjustable shelves in each section
- Cupboards to be lockable.
- Server unit to have 6 x square 40mm x 40mm brushed aluminium square legs at 150mm high



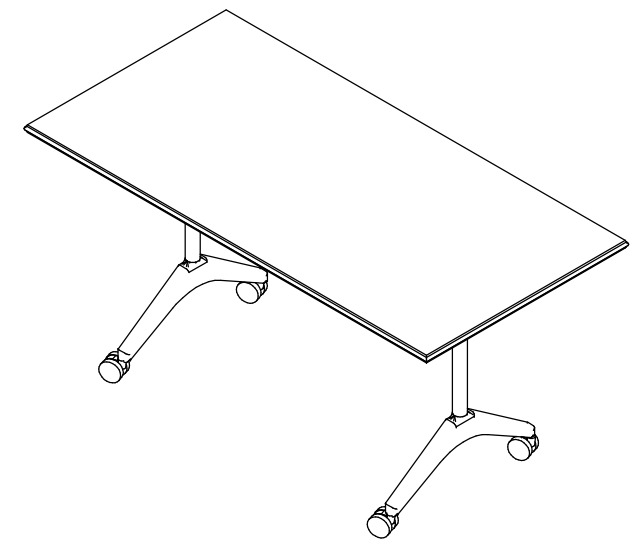
2 Elevation Front
1 : 20



3 Elevation Left
1 : 20



1 Plan Detail
1 : 20



4 3D Ortho

FOR INFORMATION ONLY

ISSUE DATE :

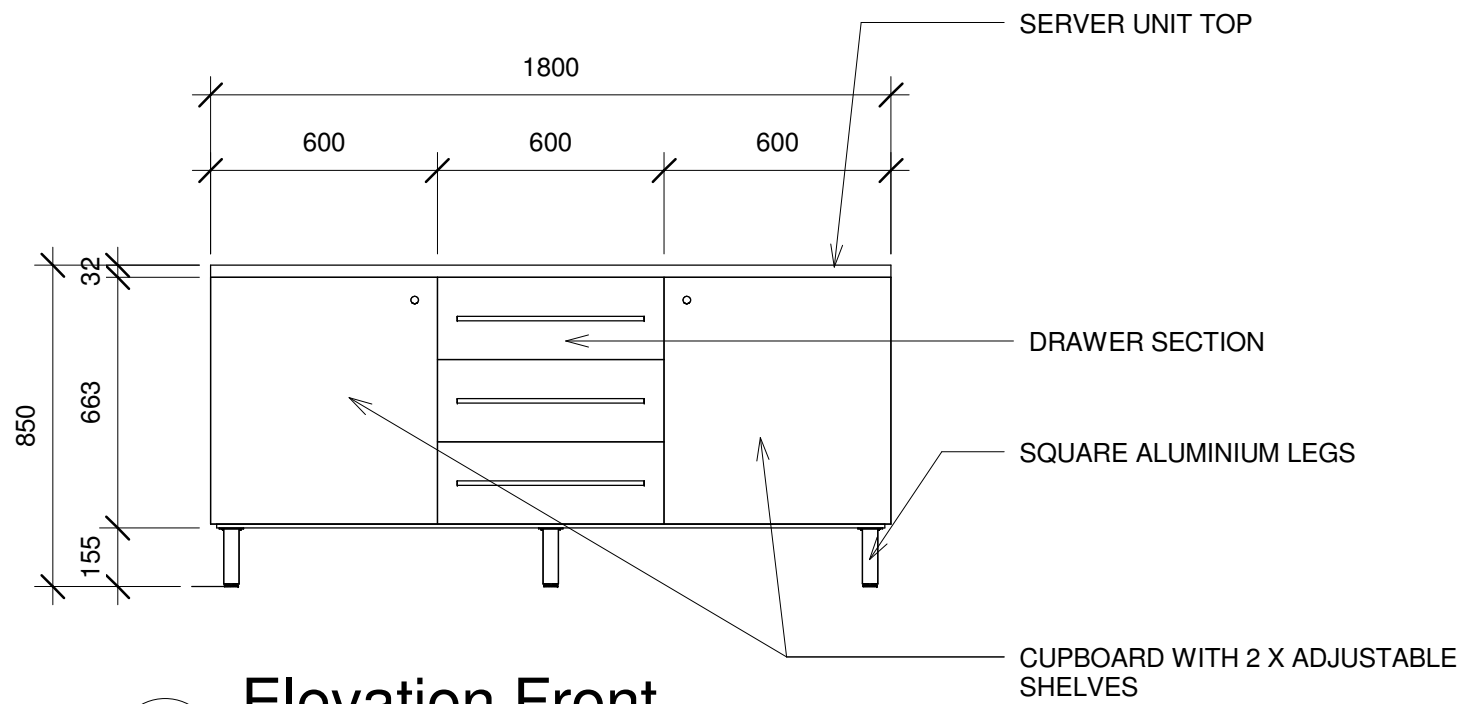
Drawings must not be scaled. Figured dimensions must only be used.
Dimensions must be verified on site, and discrepancies reported immediately to the client, SANAS.



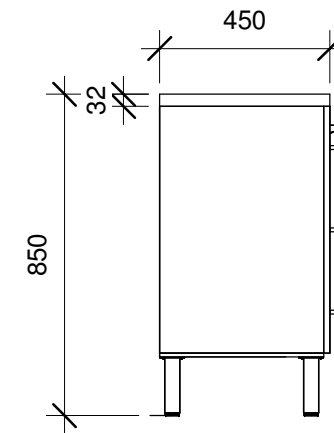
TENDER SPECIFICATION

TRAINING ROOM TABLE

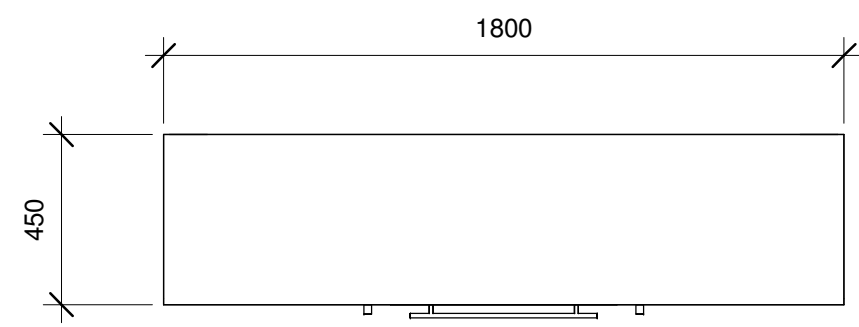
DETAIL NO.	SCALE	DATE	REVISION
D-004	1 : 20	18-01-2013	00



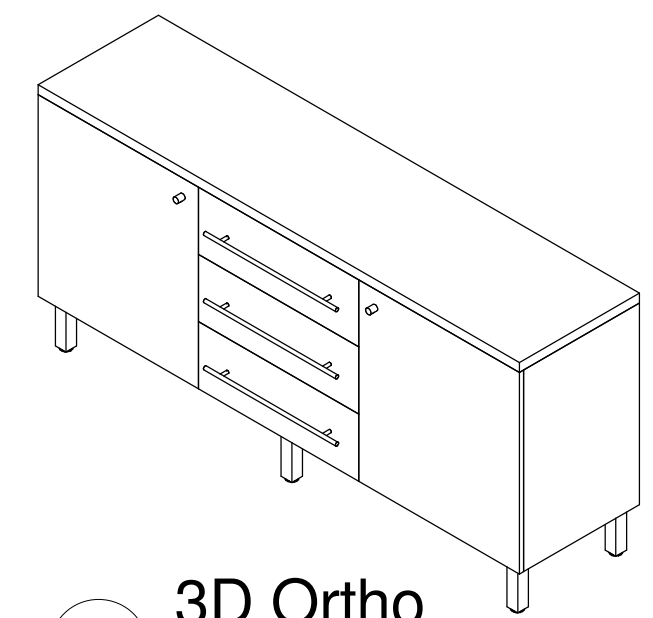
2 Elevation Front
1 : 20



3 Elevation Left
1 : 20



1 Plan Detail
1 : 20



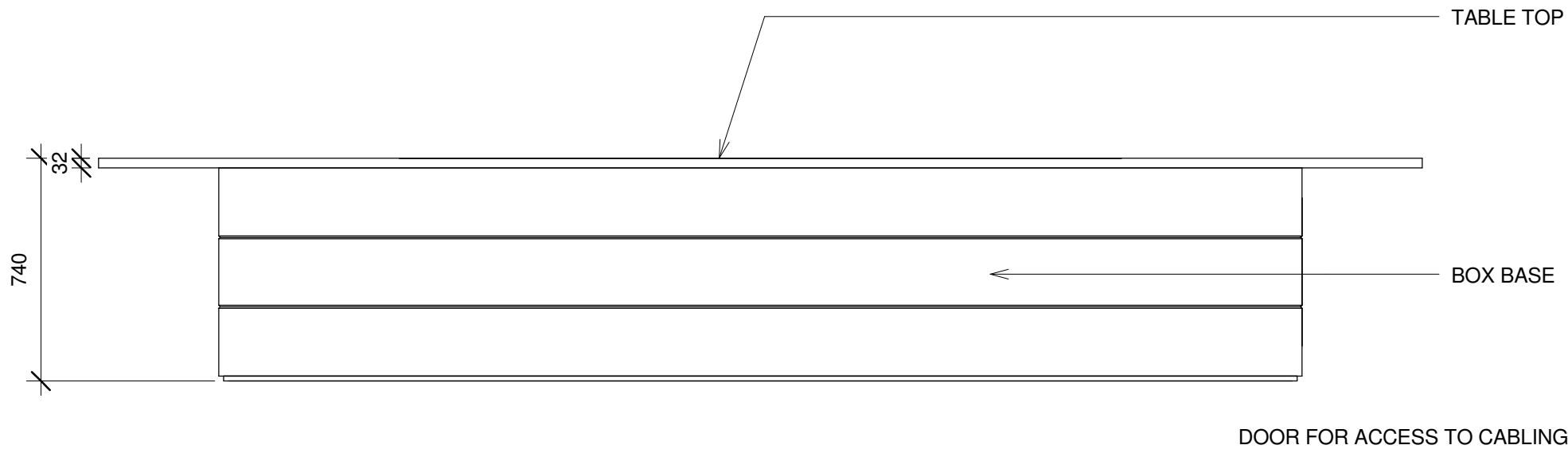
4 3D Ortho

Drawings must not be scaled. Figured dimensions must only be used.
Dimensions must be verified on site, and discrepancies reported immediately to the client, SANAS.

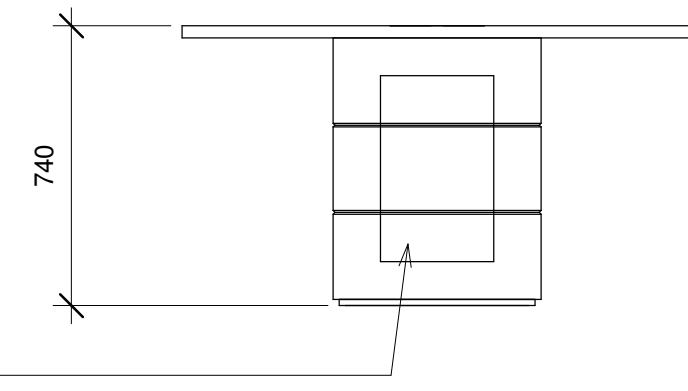
FOR INFORMATION ONLY

ISSUE DATE :

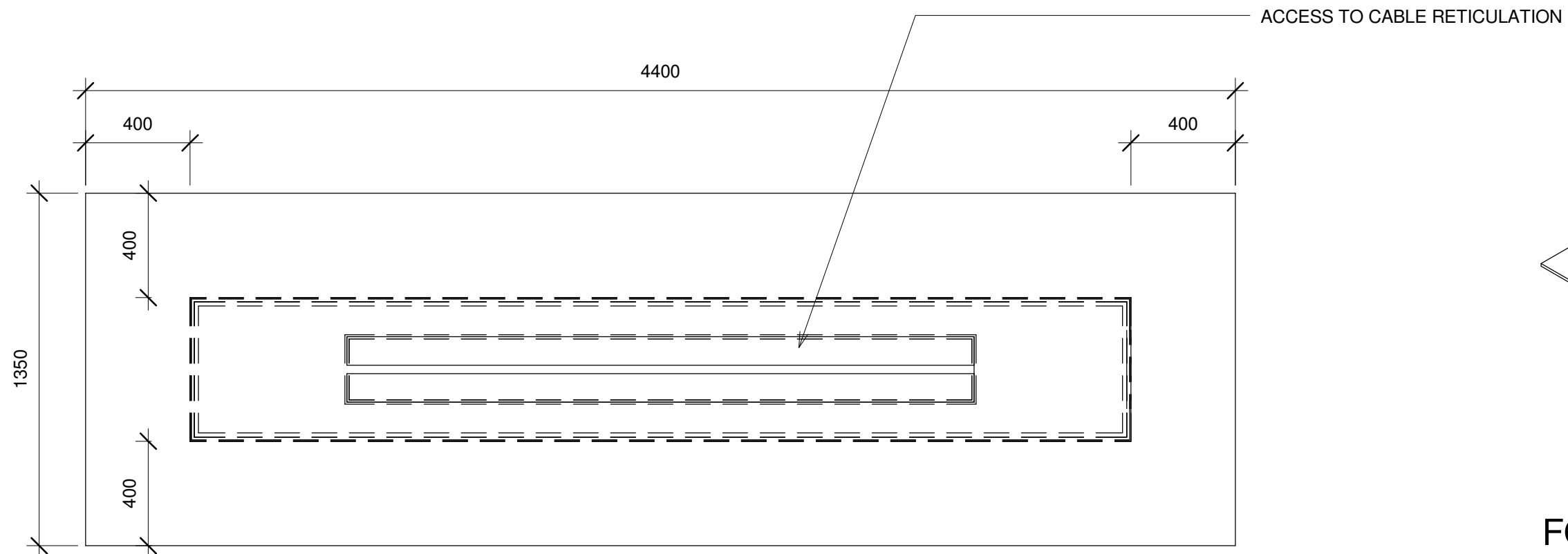
	TENDER SPECIFICATION			
	MEETINGROOM SERVER			
DETAIL NO. D-002	SCALE 1 : 20	DATE 18-01-2013	REVISION 00	



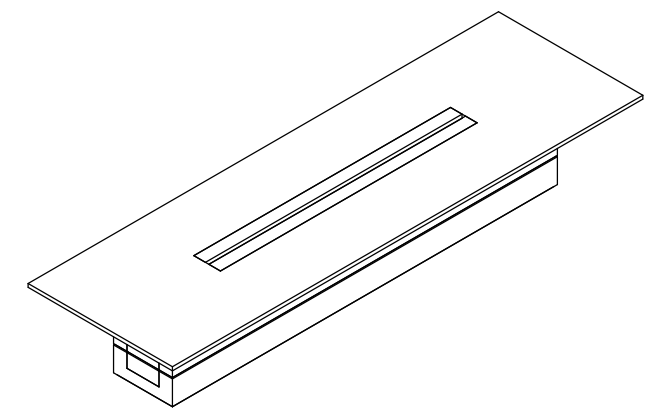
2 Elevation Front
1 : 20



3 Elevation Left
1 : 20



1 Plan Detail
1 : 20



4 3D Ortho

FOR INFORMATION ONLY

ISSUE DATE :

Drawings must not be scaled. Figured dimensions must only be used.
Dimensions must be verified on site, and discrepancies reported immediately to the client, SANAS.



TENDER SPECIFICATION

BOARDROOM TABLE DETAIL


DETAIL NO.	SCALE	DATE	REVISION
D-001	1 : 20	18-01-2013	00

Meeting facilities: Minimum 5 year Warranty

Podium:



- Mobile Podium, with tablet to house laptop computer
- Reticulation in podium for power/data to laptop
- Perspex or similar front panel
- Powder coated steel frame and legs



Meeting facilities:

Boardroom Chair Specification:




Mid Back Operators Chair:

- Upholstered Backrest and Seat
- Gas height adjustment, with standard gas lift
- Simple synchronous mechanism with Swivel and Tilt
- Flexible Arms
- Chrome base and frame
- High Density Seat Foam
- 5 year Warranty

Fabric to Backrest and Seat:

- Contract Upholstery Fabric
- Abrasion resistance no less than 25 000 rubs
- Backrest and Seat Fabric: Weavers World, Moo, Colour Black 706/Similar, sample to be provided



Meeting facilities:

Meeting Facility Chair Specification:



Stackable Sleigh Base Training Room Chair:

- Black Mesh Backrest with upholstered seat
- Chrome Sleigh Frame
- Must Stack to minimum of 8 chairs high
- High Density seat foam
- Trolley
- Minimum of 5 year guarantee

Fabric to Seat and Back:

- Contract Upholstery Fabric
- Abrasion resistance no less than 30 000 rubs
- Black Mesh Backrest
- Seat Fabric: Weavers World, Vulcan, Colour Black 1/Similar, sample to be provided



Common Areas:

Kitchen Storage:

Cupboards:

Lower Units – Refer to Detail D-006: Minimum 5 year Warranty

- Lower Units Carcasses in 16mm white melamine, with 2mm PVC edge to match decorative melamine finish on all exposed edges
- 1 x adjustable shelf in each cupboard
- Doors in 16mm Formica Havana Cherry Melawood finish with matching 2mm pvc edge all round
- Cupboards to be fitted with a Handle from Raiel code: RAH518
- A 16mm Formica Havana Cherry Melawood plinth to be fitted to the bottom of all lower units.
- 16mm Formica Havana Cherry Melawood panels to be fitted to back and sides of cupboard carcasses where exposed
- Plastic Refuse bin to be housed inside cupboard with pull out drawer on heavy duty ball bearing slides

Upper Units - Refer to Detail D-006: Minimum 5 year Warranty

- Upper Unit Carcass and doors in 16mm MDF finished in Dulux 70YY39/613
- 2 x Adjustable shelves in each cupboard
- Cupboards to be fitted with a Handle from Raiel code: RAH518
- Units to be fitted to drywall partition

Pigeonhole Upper Units - Refer to Detail D-006: Minimum 5 year Warranty

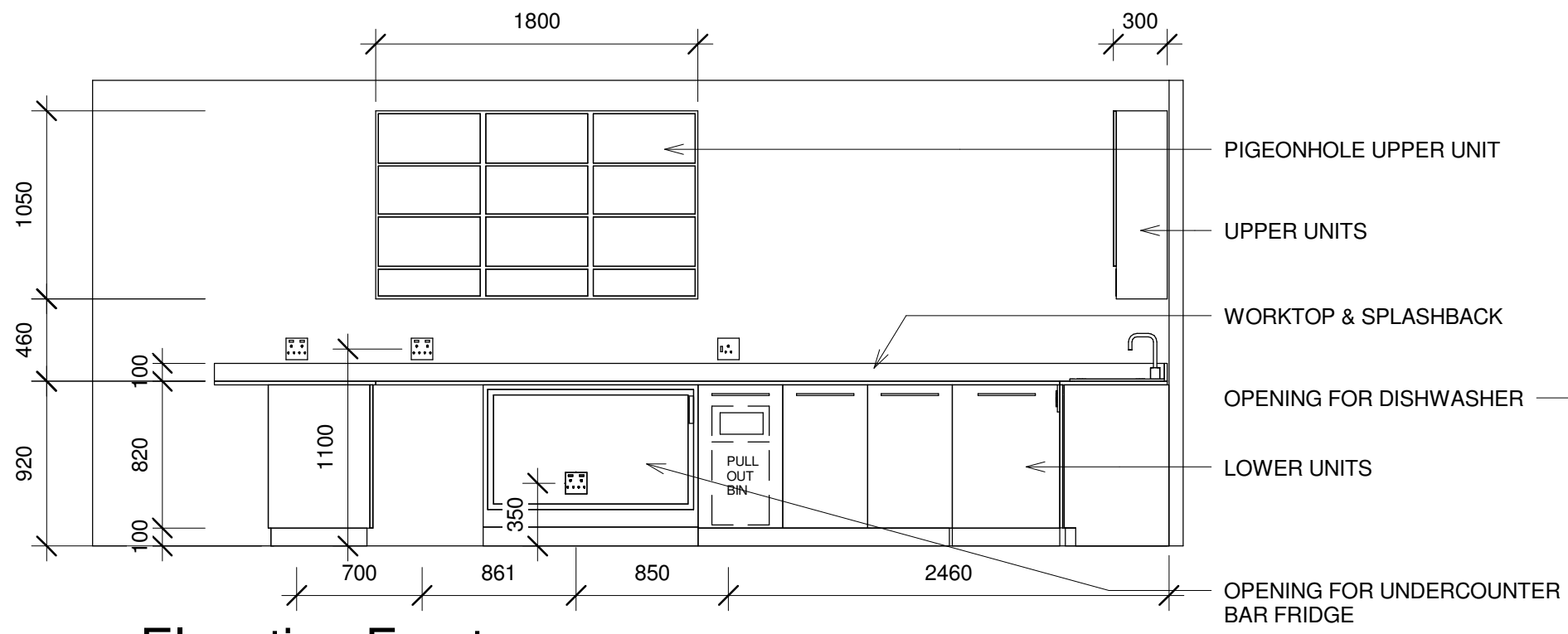
- Carcass, Uprights, Back and shelves of unit to be manufactured in 16mm Formica Havana Cherry Melawood.
- Unit to be fitted to drywall partition above counter top

Worktop & Splash back - Refer to Detail D-006 : Minimum 5 year Warranty

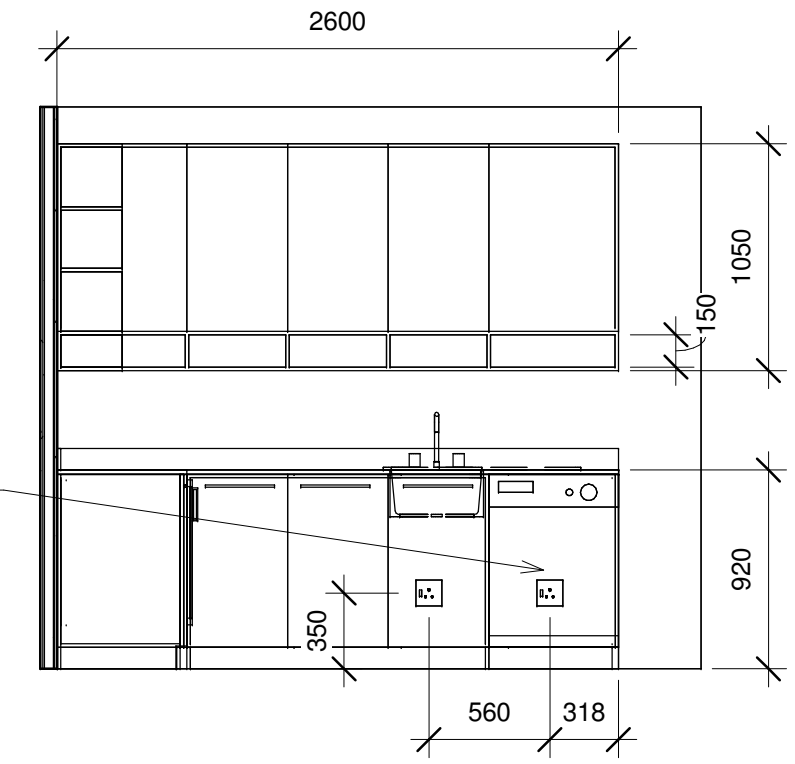
- 30mm Rustenburg black granite worktop with square polished edge
- Splash back in 30mm Rustenburg Black Granite with square polished edge

Eating Shelf - Refer to Detail D-005 : Minimum 5 year Warranty

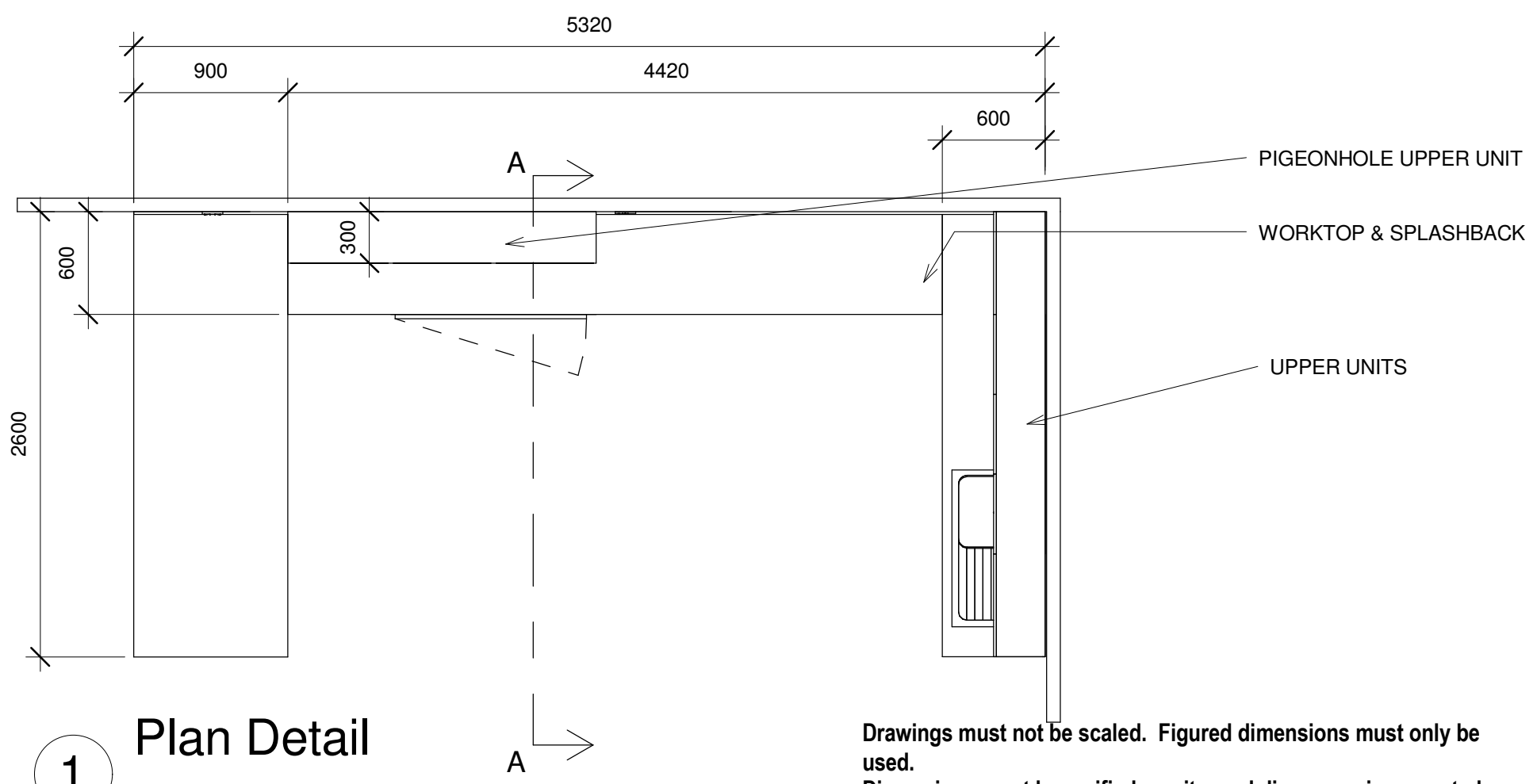
- 30mm Rustenburg black granite worktop with square polished edge
- Splash back in 30mm Rustenburg Black Granite with square polished edge
- 25mm x 25mm square tube frame leg powdercoated silver
- Granite top to be cleated to drywall behind



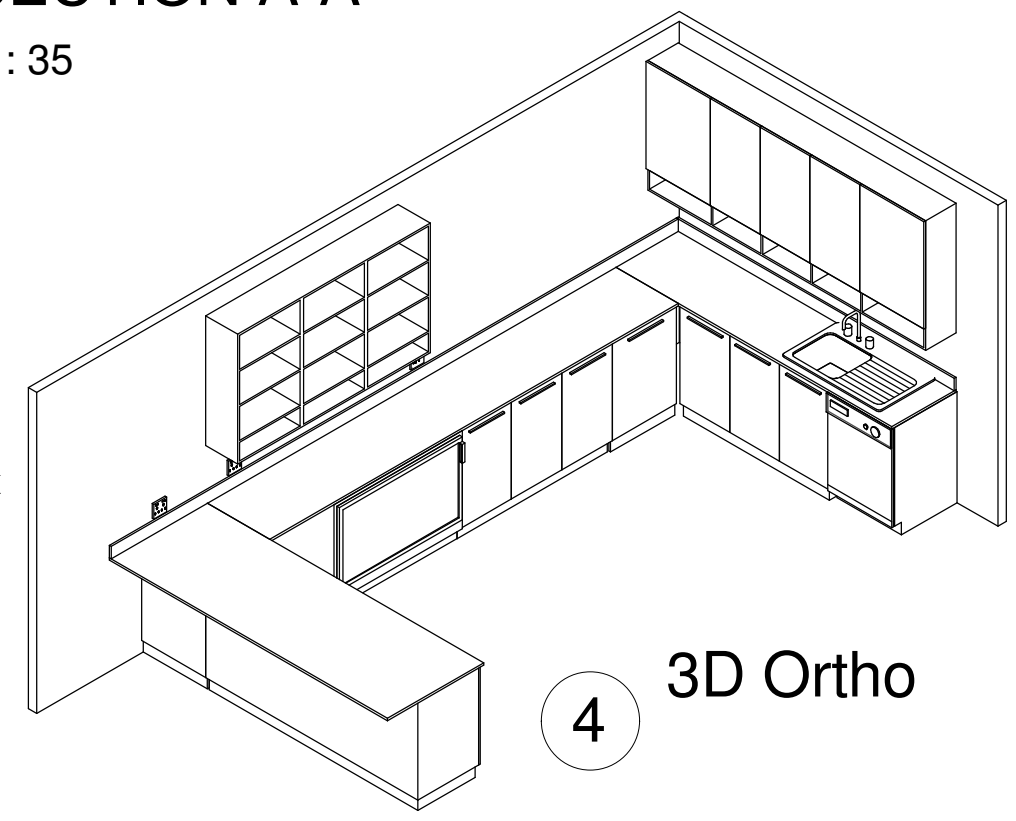
2 Elevation Front
1 : 35



3 SECTION A-A
1 : 35




1 Plan Detail
1 : 35

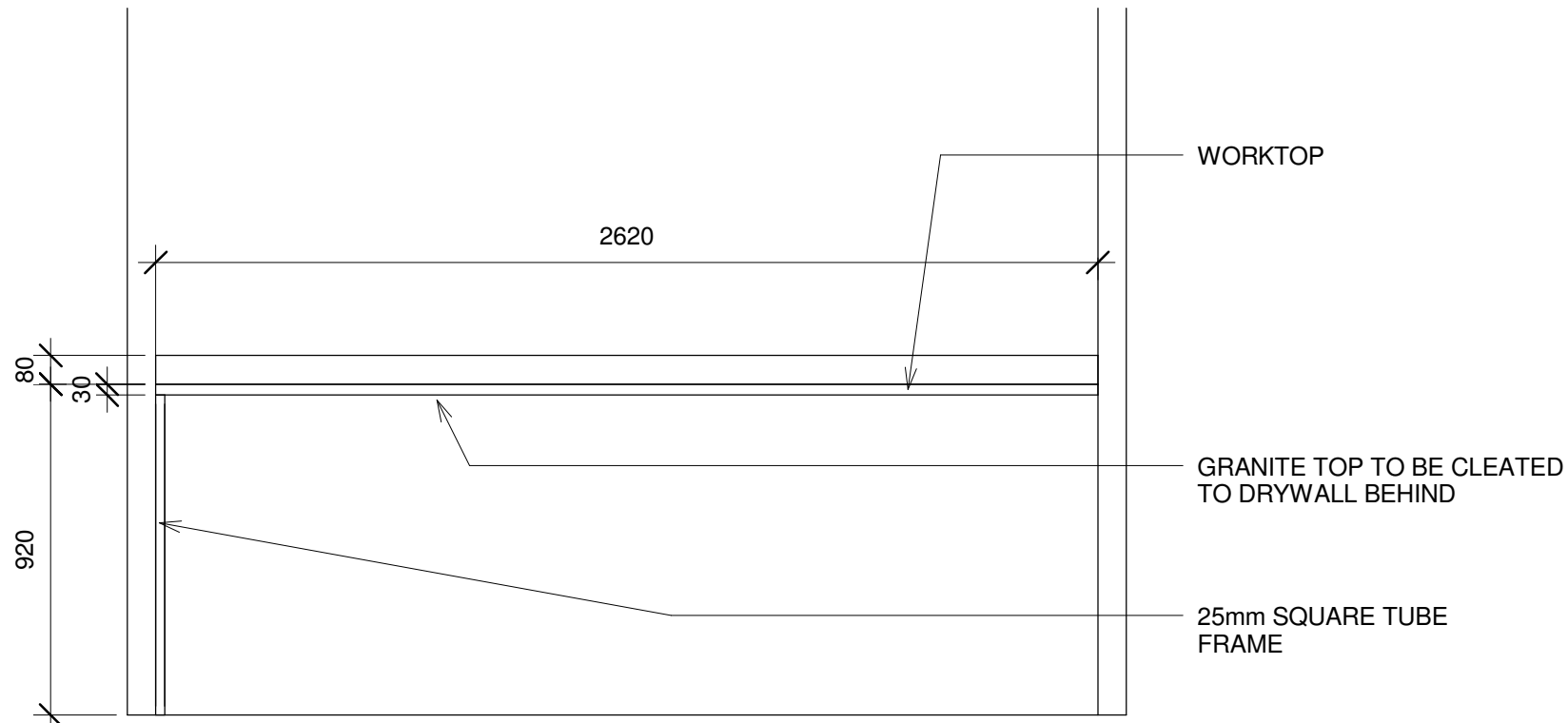


4 3D Ortho

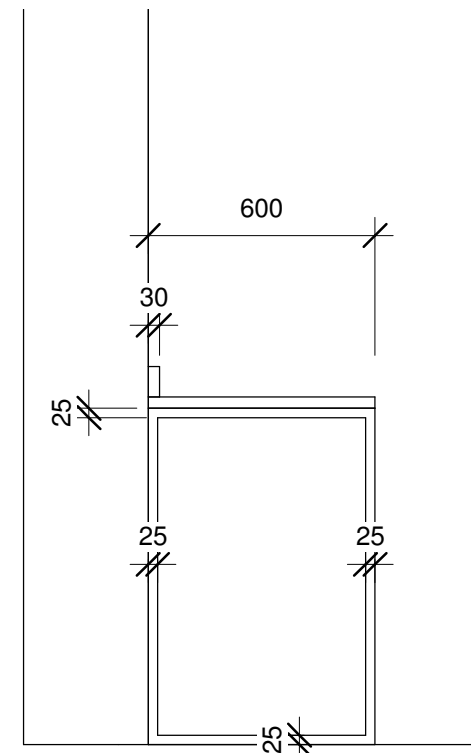
Drawings must not be scaled. Figured dimensions must only be used.
Dimensions must be verified on site, and discrepancies reported immediately to the client, SANAS.

FOR INFORMATION ONLY

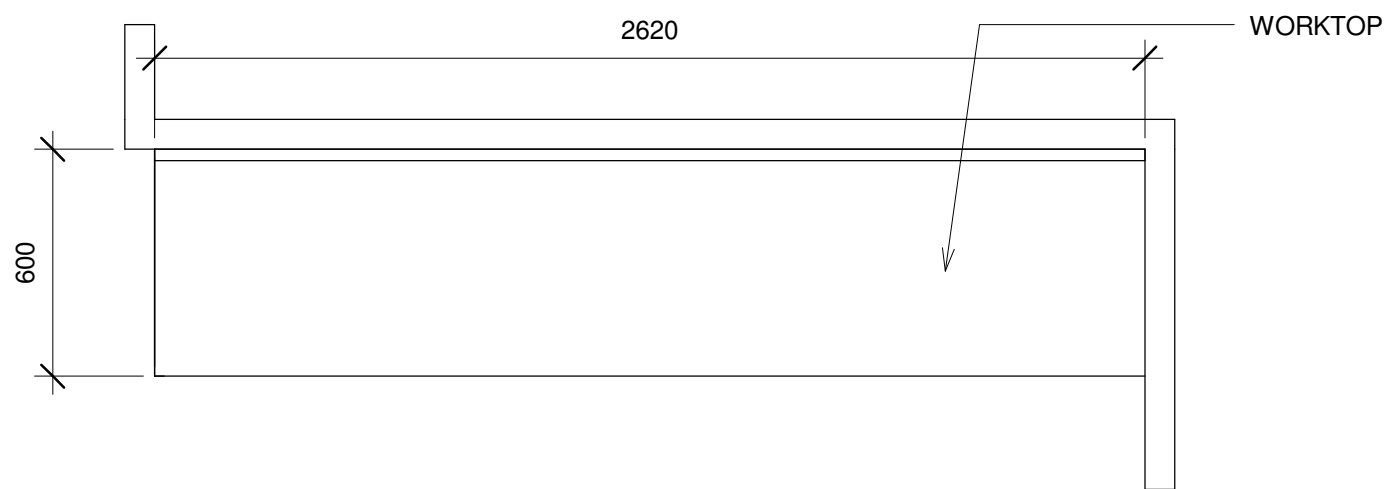
 South African National Accreditation System	TENDER SPECIFICATION		ISSUE DATE :	
	KITCHEN LAYOUT			
DETAIL NO. D-006	SCALE 1 : 35	DATE 18-01-2013	REVISION 00	



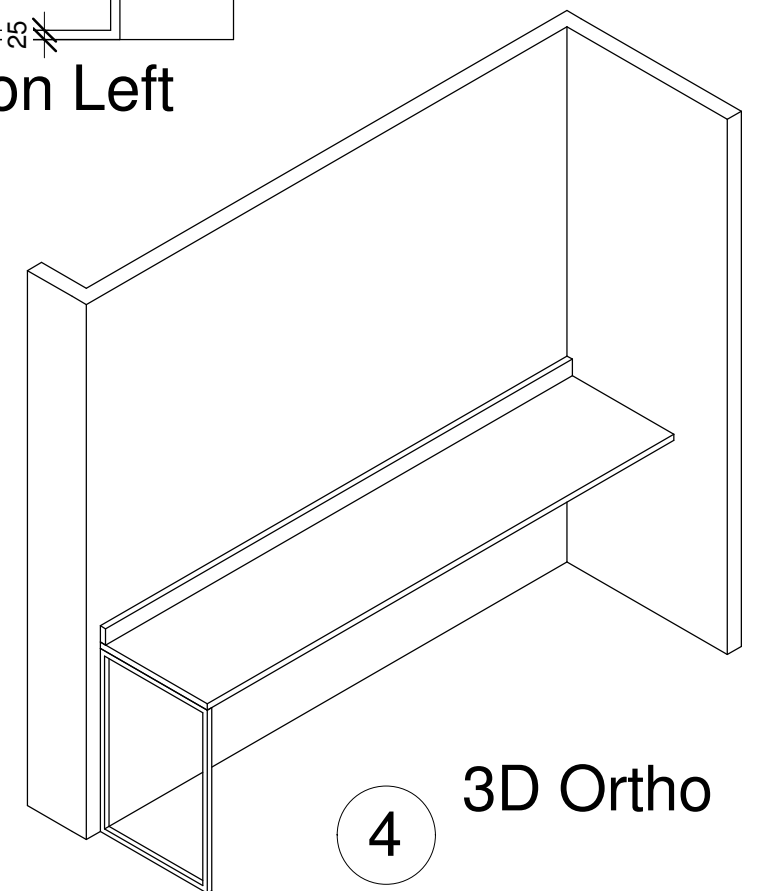
2 Elevation Front
1 : 20



3 Elevation Left
1 : 20



1 Plan Detail
1 : 20



4 3D Ortho

Drawings must not be scaled. Figured dimensions must only be used.
Dimensions must be verified on site, and discrepancies reported immediately to the client, SANAS.

FOR INFORMATION ONLY

ISSUE DATE :

	TENDER SPECIFICATION		KITCHEN EATING SHELF DETAIL	
	DETAIL NO. D-005	SCALE 1 : 20	DATE 18-01-2013	REVISION 00

Common Areas:

Kitchen Appliances Specifications – To fit in to Detail D-006:

Under Counter Bar fridge:



- 1780 X 915 X 750 Glass and Stainless Steel Industrial Bar Fridge
- Minimum of 1 Year Warranty

Dishwasher:



- **Bosch code: SGS45N12EU/Similar**
- 850 x 600 x 573 mm Free Standing White Dishwasher
- 4 programmes: Intensive 70 °C, Auto , 55-65 °C, Economy 50 °C, Quick Wash
- Minimum 3 year Warranty

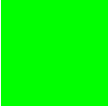
Common Areas:

Kitchen Appliances Specifications - To fit onto Detail D-006:

Coffee Machine:



- Frontier Coffee: Bianchi Sprint Instant Coffee Machine/Similar, Sample to be supplied
- NB - Cost for Outright Purchase as well as Rental to be shown
- Espresso; black and white coffee; cappuccino; hot chocolate; moccachino; latte; chocochino; hot water. All drinks have a choice of with or without sugar
- Unit to be Plumbed in
- Payment System - Can be set to free vend or to fit a token acceptor or coin acceptor
- Height: 545 mm / width: 385 mm / depth: 440 mm / weight: 27 kg



Common Areas:

Cafe Storage – Refer to Detail D-003:

Cupboards:

Lower Units:

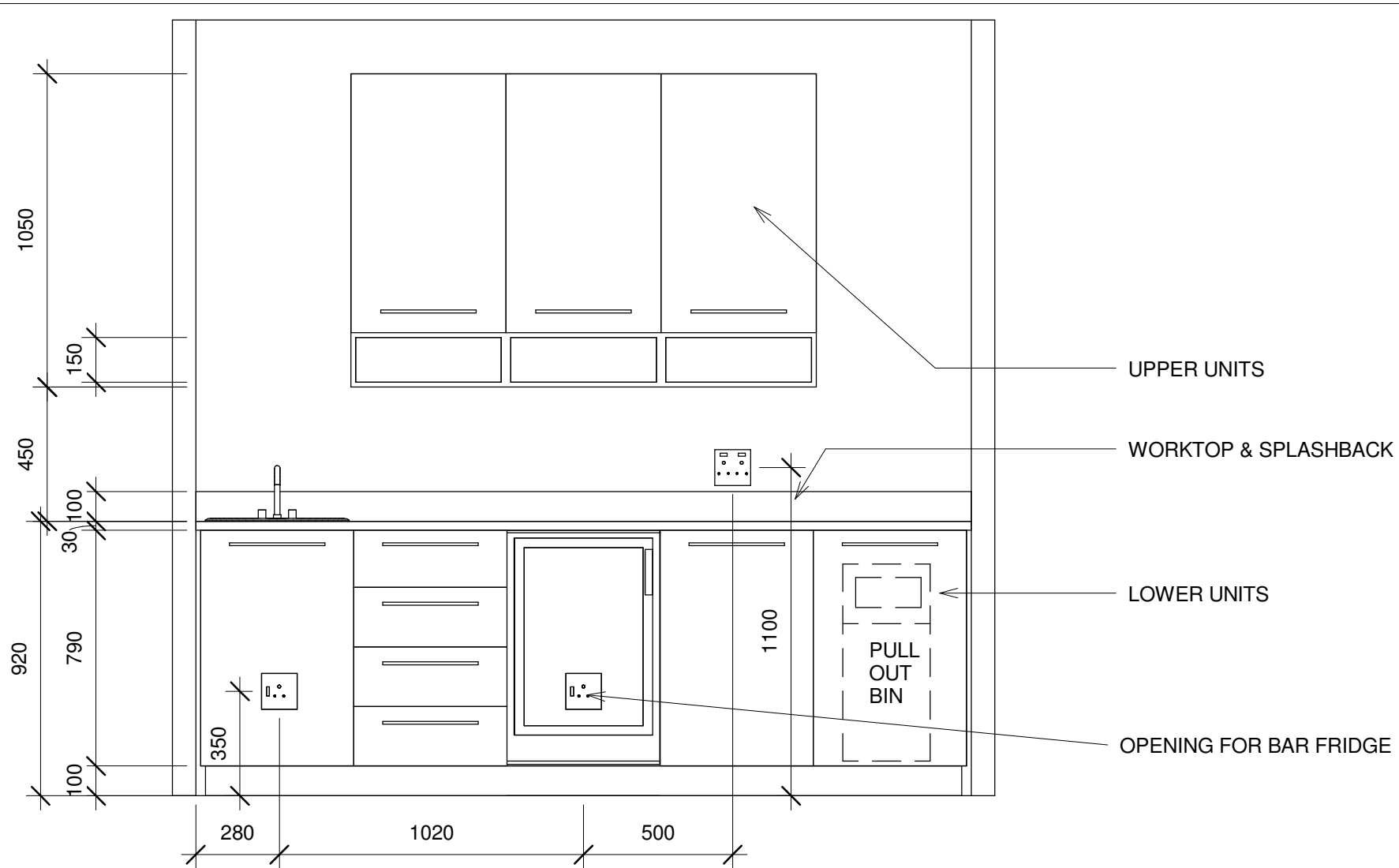
- Lower Units Carcasses in 16mm white melamine, with 2mm PVC edge to match decorative melamine finish on all exposed edges
- 1 x adjustable shelf in each cupboard
- Doors in 16mm Formica Havana Cherry Melawood finish with matching 2mm pvc edge all round
- Cupboards to be fitted with a Handle from Raiel code: RAH518
- A 16mm Formica Havana Cherry Melawood plinth to be fitted to the bottom of all lower units.
- 16mm Formica Havana Cherry Melawood panels to be fitted to back and sides of cupboard carcasses where exposed
- Plastic Refuse bin to be housed inside cupboard with pull out drawer on heavy duty ball bearing slides

Upper Units:

- Upper Unit Carcass and doors in 16mm MDF finished in Dulux 60YR 29/559
- 2 x Adjustable shelves in each cupboard
- Cupboards to be fitted with a Handle from Raiel code: RAH518
- Units to be fitted to drywall partition

Worktop & Splash back:

- 30mm Rustenburg black granite worktop with square polished edge
- Splash back in 30mm Rustenburg Black Granite with square polished edge



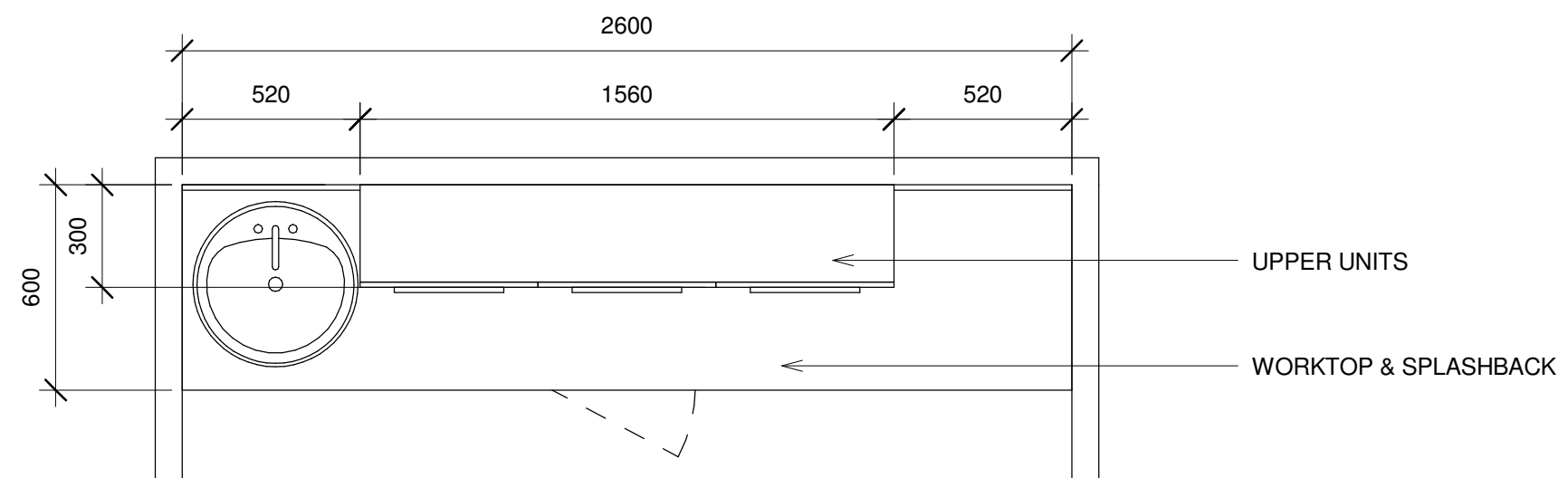
UPPER UNITS

WORKTOP & SPLASHBACK

LOWER UNITS

OPENING FOR BAR FRIDGE

2 Elevation Front
1 : 20

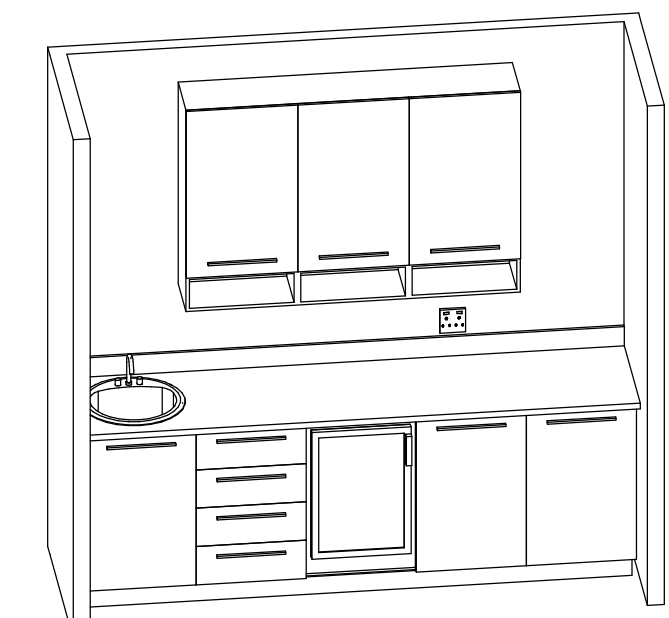


UPPER UNITS

WORKTOP & SPLASHBACK

1 Plan Detail
1 : 20

Drawings must not be scaled. Figured dimensions must only be used. Dimensions must be verified on site, and discrepancies reported immediately to the client, SANAS.



3 3D Ortho

FOR INFORMATION ONLY

ISSUE DATE :



TENDER SPECIFICATION

CAFE DETAIL

DETAIL NO. D-003	SCALE 1 : 20	DATE 18-01-2013	REVISION 00
---------------------	-----------------	--------------------	----------------

Common Areas:

Kitchen Appliances Specifications - To fit onto Detail D-003:

Under Counter Bar fridge:



- **Bosch code: KUR15A65/Similar**
- 82 x 60 x 55 cm White Under Counter Bar Fridge
- Minimum 3 year warranty

Coffee Machine:



- Frontier Coffee: Bianchi Sprint Instant Coffee Machine/Similar
- NB - Cost for Outright Purchase as well as Rental to be shown
- Espresso; black and white coffee; cappuccino; hot chocolate; moccachino; latte; chocochino; hot water. All drinks have a choice of with or without sugar
- Unit to be Plumbed in
- Payment System - Can be set to free vend or to fit a token acceptor or coin acceptor
- Height: 545 mm / width: 385 mm / depth: 440 mm / weight: 27 kg
- Minimum 1 Year Warrant



Common Areas:

Eating Area and Café bar Stool Specification:



Bar Stool:

- Black metal frame with upholstered seat
- Seat Dimension = 430mm
- 8 x Seat Height = 650mm high
- 6 x Seat Height = 750mm high

Fabric to Seat:

- Contract Upholstery Fabric
- Abrasion resistance no less than 50 000 rubs
- 6 x Seats: Tessa Sonic, Smash, colour Grass/Similar, sample to be supplied
- 8 x Seats: Tessa Sonic, Smash, Colour Blue/Similar, sample to be supplied



Common Areas:

Eating Area and Café Bar Table Specification:



Bar Table:

- Table top height = 1100mm high
- Polished Aluminium table with disc base
- 600mm diameter white Werzalit Top

Common Areas:

Patio Bench:



- 10 – 14 Seater Wooden outdoor bench
- Suitable Protective cover to be included in Green or Charcoal



Umbrella:

- Aluminium 3.2m Hexagonal cantilever umbrella, in a Beige colour, with suitable protective cover, Green or Charcoal, and Cement base

Planter and Beaded Aloe Specification:



Planter:

- 1000mm High x 400 x 400mm, Fibre Glass pot to Charcoal Colour



Beaded Aloe:

- Beaded Aloes as above as alternative to plants

Accessories and Office Equipment:

Paper Shredder:



- 2 x Rexel Auto+ 100 Shredder Confetti Cut 2102559 / Similar, sample to be provided
- This advanced personal shredder provides sufficient security to shred confidential documents into little confetti cut pieces. With the Auto+ 100 Shredder, you do not need to stand and feed it, or even remove staples or paper clips first. It has an automatic feed and a 26 litre bin so you can load up to 100 A4 sheets and leave it to get on with the job.

Waste Paper bins:



- Krost code - 211SI Tapered Waste Paper Bin Silver/Similar, sample to be provided
- Waste paper bins to all workstations
- Waste paper bins to Utility areas

Accessories and Office Equipment:

Flexi Rail and Writing Boards:

Flexi Rail:



- 1 x 3000mm Natural Aluminium extrusion with built-in gravity gripper.
- 1 x 3600mm Natural Aluminium extrusion with built-in gravity gripper.
- This gravity gripper is used to display posters, flipchart pages, drawings & plans and leaflets. Any number of sheets can be suspended from the rail

Flexi White Boards:



- 2 x 1200mm x 1500mm Vitreous Enamel, magnetic surface.
- Must be easy to lift and slide along the rail.
- Pen Rails must be included

Flexi Flip Chart:



- 2 x Write-on/write-off Vitreous Enamel (scratch Resistant) surface with pen rail.
- It is spaced away from the wall on a specially designed frame which allows paper to be flipped over easily.
- Flexi Flip Chart is also height adjustable to suit the user
- Must be easy to lift and slide along the rail.
- Pen Rails and paper must be included

Audio Visual – Supplier to specify product that best suits the application:

Boardroom:

- 1 x Pull Down Electrical Screen
- 1 x Projector

Training Rooms x 3:

- 2 x Pull Down Electrical Screen
- 2 x Projector

Note: Warrantees and after sales service to be detailed in the tender document

Artwork:

- R25 000 PC sum to be allowed for Local Prints – SANAS to Approve